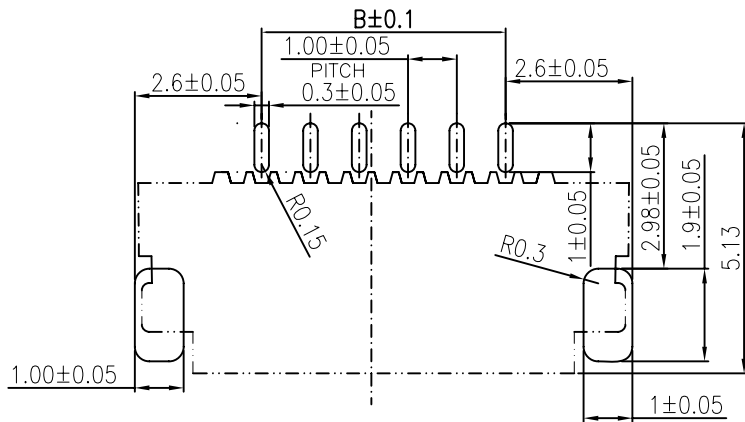
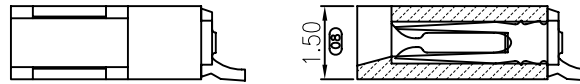
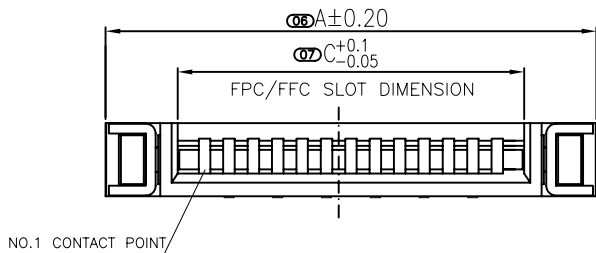
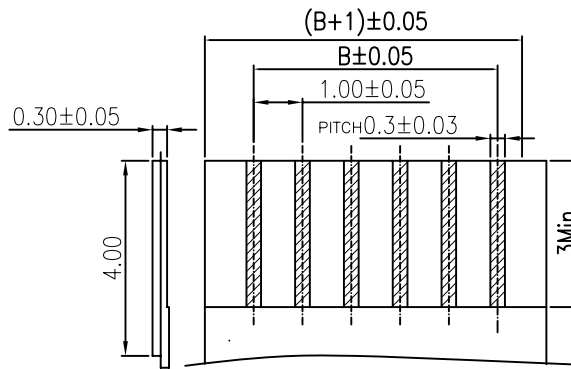


Specifications:

Housing: LCP UL94-V0 Color: Nature
 Contact: Phosphor Bronze
 Operating Voltage: 50V AC/DC
 Current Rating: 0.4A AC/DC
 Withstand Voltage: 250V AC/Minute
 Contact Resistance: $\leq 30M\Omega$
 Insulation resistance: $\geq 100M\Omega$
 Operating Temperature: $-55^{\circ}C \sim +85^{\circ}C$



RECOMMENDED P.C.B LAYOUT



APPLICABLE FPC

CKT	DIM=A	DIM=B	DIM=C
4P	8.03	3.00	5.07
5P	9.03	4.00	6.07
6P	10.3	5.00	7.07
7P	11.03	6.00	8.07
8P	12.03	7.00	9.07
9P	13.03	8.00	10.07
10P	14.03	9.00	11.07
11P	15.03	10.0	12.07
12P	16.03	11.0	13.07
13P	17.03	12.0	14.07
14P	18.03	13.0	15.07
15P	19.03	14.0	16.07
16P	20.03	15.0	17.07
17P	21.03	16.0	18.07
18P	22.03	17.0	19.07
19P	23.03	18.0	20.07
20P	24.03	19.0	21.07
21P	25.03	20.0	22.07
22P	26.03	21.0	23.07
23P	27.03	22.0	24.07
24P	28.03	23.0	25.07
25P	29.03	24.0	26.07
26P	30.03	25.0	27.07
27P	31.03	26.0	28.07
28P	32.03	27.0	29.07
29P	33.03	28.0	30.07
30P	34.03	29.0	31.07

一般公差 TOLERANCES X. ±0.40 .XX ±0.20 .X ±0.30 .XXX ±0.10 ANGLES ±2°		深圳市宏利电子有限公司 Shenzhen Holy Electronic Co.,Ltd	
检验尺寸标示 SYMBOLS $\text{\textcircled{C}}$ $\text{\textcircled{M}}$ INDICATE CLASSIFICATION DIMENSION	工程 图号 FPC1015SW-nP	制图 (DR) *10/03/22 审核 (CHKD)	
$\text{\textcircled{C}}$ MARK IS CRITICAL DIM. $\text{\textcircled{M}}$ MARK IS MAJOR DIM.	品名 FPC1.0mm - nP H1.5mm 双面接	核准 (APPD) Rigo Lu	
表面处理 (FINISH)	比例 (SCALE) 1:1	单位 (UNITS) mm	张数 (SHEET) 1 OF 1
修订 REV	修改摘要 REVISION DESCRIPTION	日期 DATE	签名 SIGNATURE
