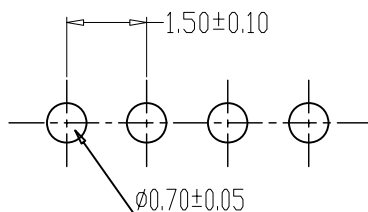
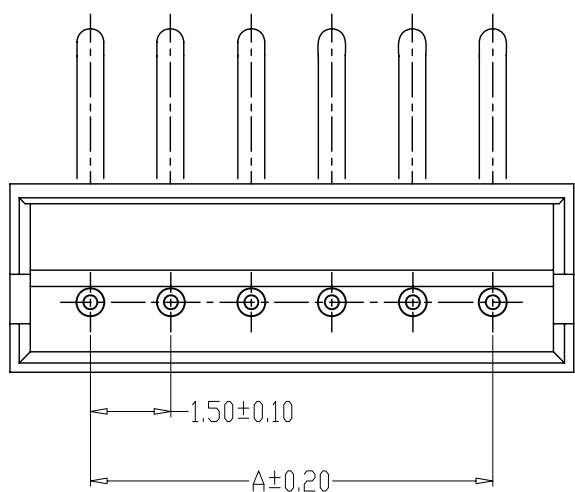


TYPE 1

TYPE 2



PCB LAYOUT

SPECIFICATIONS

- 1、Current Rating: 1A AC, DC
- 2、Voltage Rating: 100V AC, DC
- 3、Temperatuer Range: $-25^{\circ}\text{C} \sim +85^{\circ}\text{C}$
- 4、Contact Resistance: $20\text{m}\Omega$ Max
- 5、Insulation Resistance: $500\text{m}\Omega$ Min
- 6、Withstanding Voltang: 500V AC/minute
- 7、Material: Wafer PBT, UL94V-0
Wafer Nylon66, UL94V-0
PIN Brass Tin-plated

| P 数 | 尺寸 (mm) | |
|------|---------|-------|
| | A | B |
| 02AW | 1.50 | 4.50 |
| 03AW | 3.00 | 6.00 |
| 04AW | 4.50 | 7.50 |
| 05AW | 6.00 | 9.00 |
| 06AW | 7.50 | 10.50 |
| 07AW | 9.00 | 12.00 |
| 08AW | 10.50 | 13.50 |
| 09AW | 12.00 | 15.00 |
| 10AW | 13.50 | 16.50 |
| 11AW | 15.00 | 18.00 |
| 12AW | 16.50 | 19.50 |
| 15AW | 21.00 | 24.00 |

一般公差
TOLERANCES
X. ± 0.40 .XX ± 0.20
.X ± 0.30 .XXX ± 0.10
ANGLES $\pm 2^{\circ}$

深圳市宏利电子有限公司
Shenzhen Holy Electronic Co.,Ltd

检验尺寸标示
SYMBOLS \odot \ominus INDICATE
CLASSIFICATION DIMENSION

工程
图号 ZH15-nAW 制图 (DR)
*10/03/22

品名 ZH1.5-nAW 弯针 审核 (CHKD)

\odot MARK IS CRITICAL DIM.
 \ominus MARK IS MAJOR DIM.

TITLE ZH1.5mm Pitch AW DIP CONN 核准 (APPD)

表面处理 (FINISH)

比例 (SCALE) 1:1 单位 (UNITS) mm

张数 (SHEET) 1 OF 1 尺寸 (SIZE) A4 版本 (REV) 0

| 修订 REV | 修改摘要 REVISION DESCRIPTION | 日期 DATE | 签名 SIGNATURE |
|-----------|------------------------------|------------|-----------------|
| - | - | - | - |

Rigo Lu